

40-403-002-00

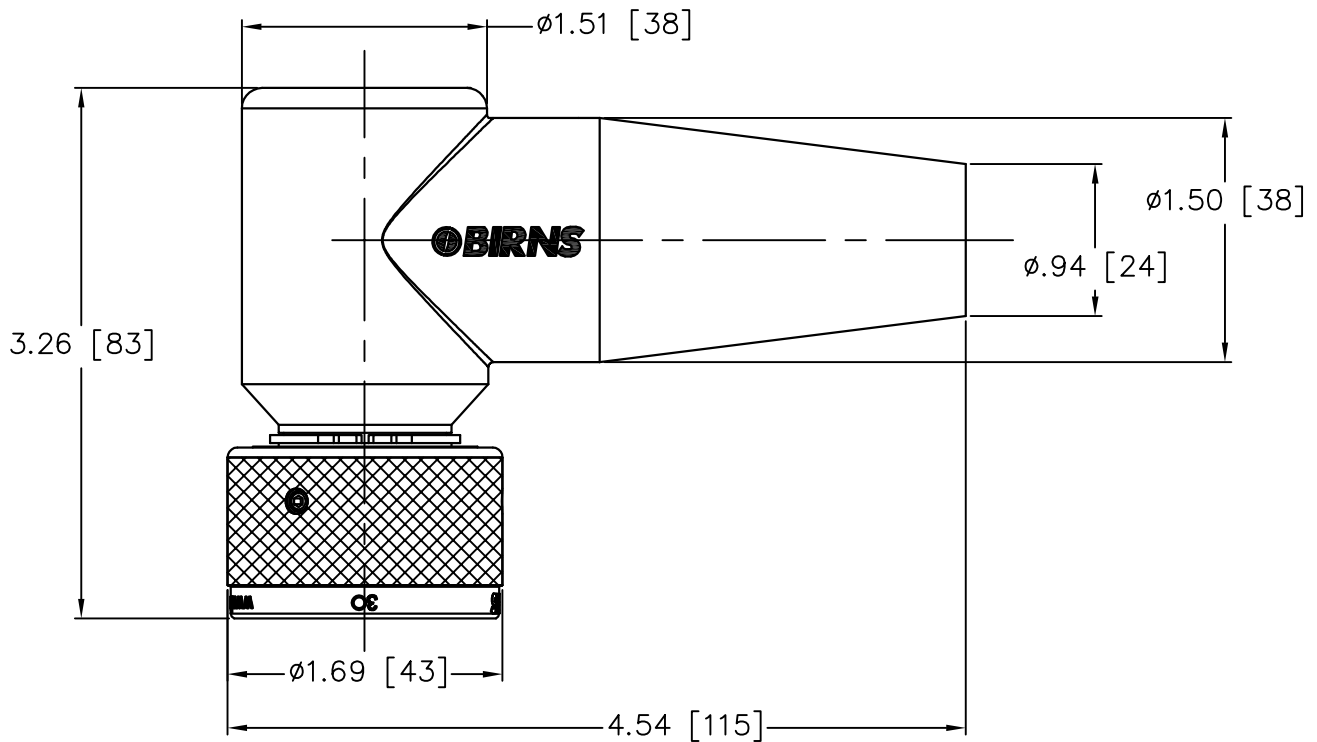


# MILLENNIUM SERIES

30-CP



30-CP



DIMENSIONS IN [ ] ARE IN MILLIMETERS

1720 Fiske Place Oxnard, California 93033-1863  
Phone: (805) 487-5393 FAX: (805) 487-0427 Email: [service@birns.com](mailto:service@birns.com)  
[www.birns.com](http://www.birns.com)

USA Toll-Free:  
888-BIRNS-88

SPECIFICATIONS SUBJECT TO CHANGE WITHOUT NOTICE.